

Article datasheet

Pan Head Screw ISO1580 M3x12 A4 STEEL Slotted Self-Sealing SEELSKREW®

Article-No.: 001.59.359

Manufacturer: APM Hexseal

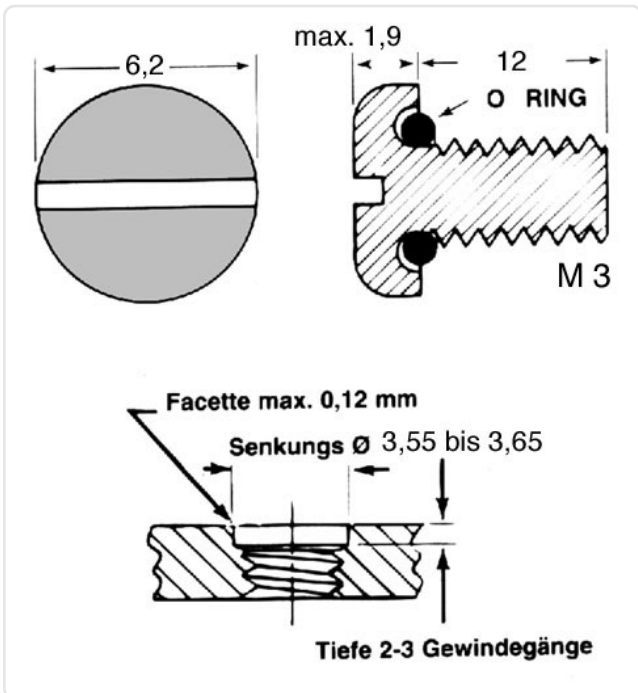
Manufacturer article-no.: SM3X12 2701





Image may be similar

| | |
|-------------------------|-------------------------------|
| DIN/ISO: | DIN85 / ISO1580 |
| Drive Type: | Slotted |
| Finish: | Passivated, Clear |
| Head Diameter [mm]: | 6 |
| Head Height [mm]: | 1.8 |
| Head Shape: | Flat Head |
| Length [mm]: | 12 |
| Material: | Stainless Steel AISI 316 / A4 |
| Material Group: | Stainless Steel |
| O-Ring Material: | Silicone |
| Temperature Range [°C]: | -106°C to +260°C |
| Thread Size: | M3 |
| Weight: | 0.75g |
| Conformities: | |



You can find all information on the web on our article detail page

Would you like individual advice?
We look forward to your email to products@ettinger.de.

Subject to change and errors.