

Article datasheet

Harness Rap 20- 60/PE-natural

Article-No.: 014.75.141

Manufacturer: SES-Sterling

Manufacturer article-no.: 0819 0029 018



Image may be similar

Bundle Diameter [mm]: 20,0-60,0

Color: Natural

Material: PE - Polyethylene

Model: Spiral Cable Wrap

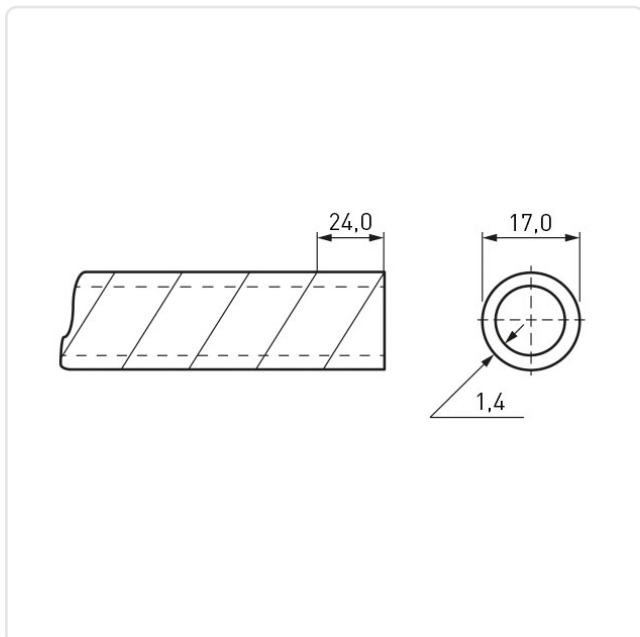
Reel length [m]: 25

Weight: 1679g

Conformities:



You can find all information on the web on our article detail page



Would you like individual advice?

We look forward to your email to products@ettinger.de.

Subject to change and errors.