

Article datasheet

Drive Rivet Ø3.5 | 2.2-3.1 Polyamide 4.6 brown

Article-No.: 072.29.730

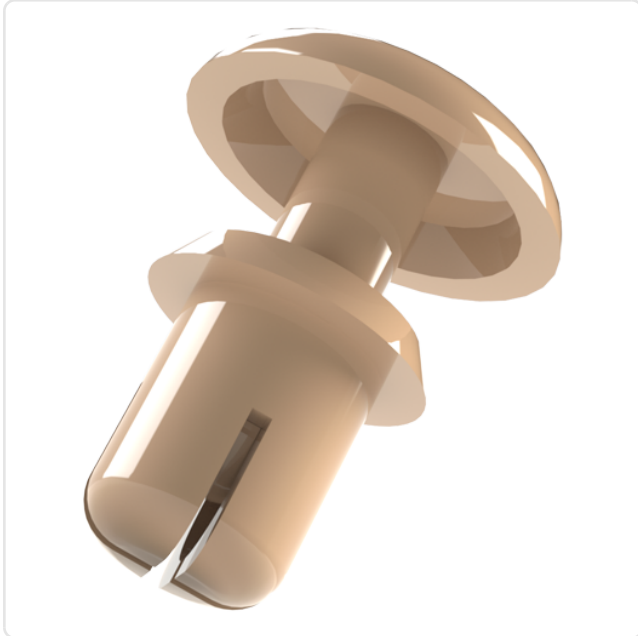
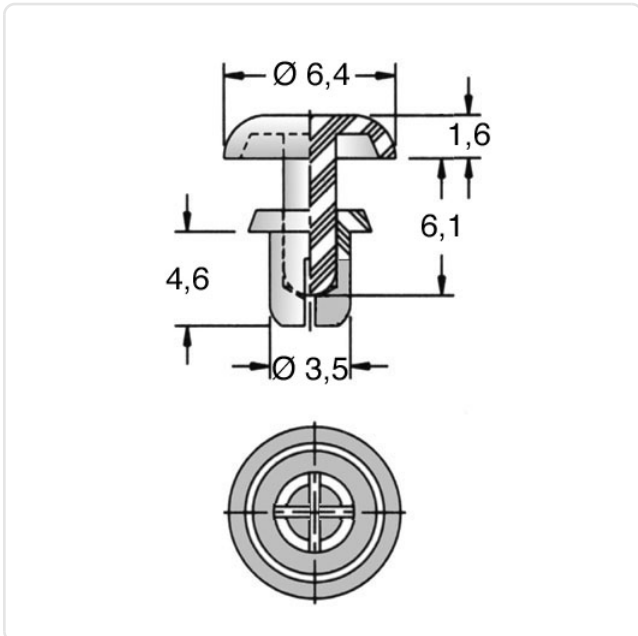


Image may be similar



Color:	Brown
Flammability Class:	UL94-V2
Head Diameter [mm]:	6.4
Head Height [mm]:	1.6
Length [mm]:	4.6
Material:	PA 4.6
Model:	removable
Mounting Hole Range [mm]:	Ø 3.4-3.7
Panel Thickness [mm]:	2,2-3,1
Rivet Diameter [mm]:	3.5
Weight:	0.1g
Conformities:	



You can find all information on the web on our article detail page

Would you like individual advice?

We look forward to your email to products@ettinger.de.

Subject to change and errors.