

Article datasheet

Coincell Holder ø20mm vertical PBT UL94-V0 - solder pins for PCB

Article-No.: 015.61.602

Manufacturer: Keystone Electronics

Manufacturer article-no.: 1065

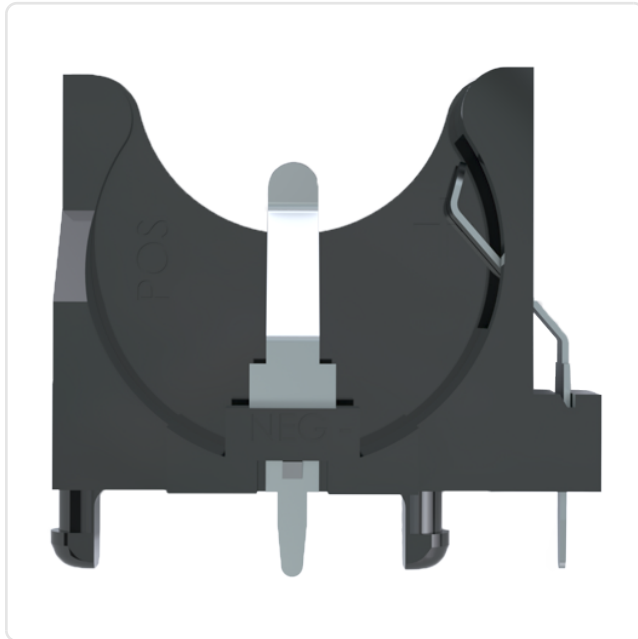
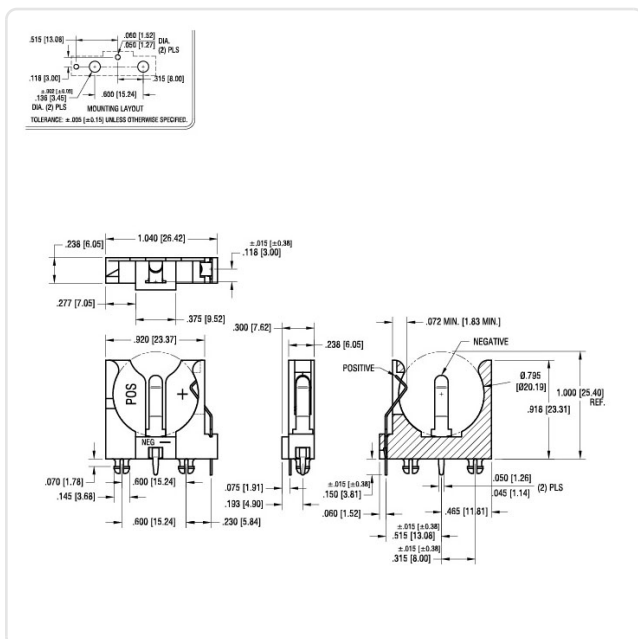


Image may be similar

Battery Type: Cell Dia. 20mm
 Cell diameter [mm]: Ø 20.0
 Finish: Tin-Plated
 Flammability Class: UL94-V0
 Height [mm]: 25.4
 Material: PBT - Polybutylene Terephthalate
 Material Group: Plastic
 Model: PCB Mounting Connection
 No. Cells: 1
 Weight: 2.75g
 Conformities:



You can find all information on the web on our article detail page



Would you like individual advice?

We look forward to your email to products@ettinger.de.

Subject to change and errors.