

Article datasheet

## Cable Glands with antikink PG7 clamping range 2,5-6,5 PA grey

Article-No.: 014.20.028

Manufacturer: LAPP

Manufacturer article-no.: 53015600

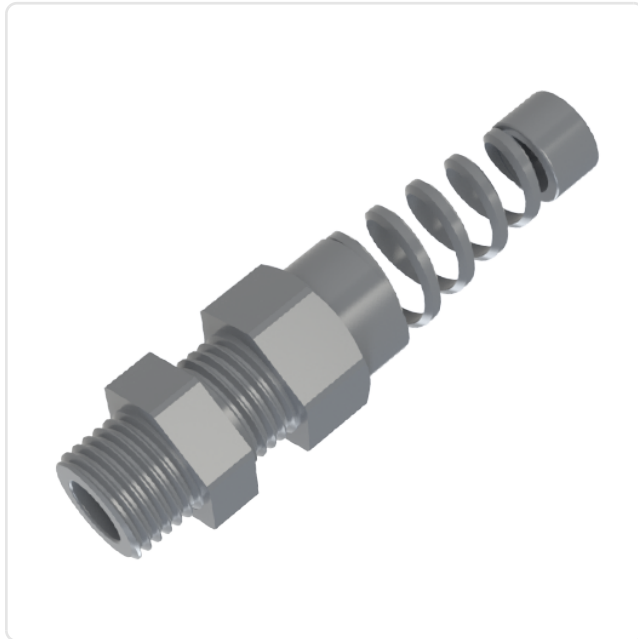
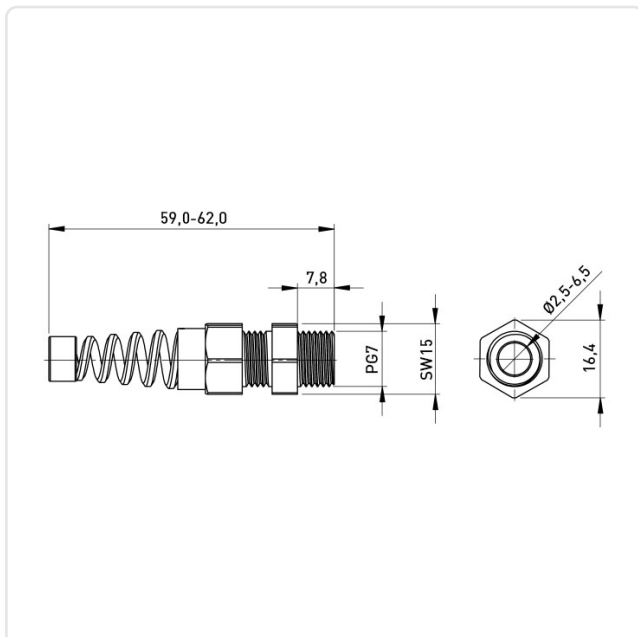


Image may be similar

AF / OD [mm]:	15
Color:	Gray
Material:	PA 6.0
Material Group:	Plastic
Model:	With Bend Protection
Mounting Hole [mm]:	13
Panel Thickness Range [mm]:	2.5-6.5
Protection Code:	IP68
Thread Size:	PG7
Weight:	5.48g
Conformities:	



You can find all information on the web on our article detail page



Would you like individual advice?

We look forward to your email to [products@ettinger.de](mailto:products@ettinger.de).

Subject to change and errors.