

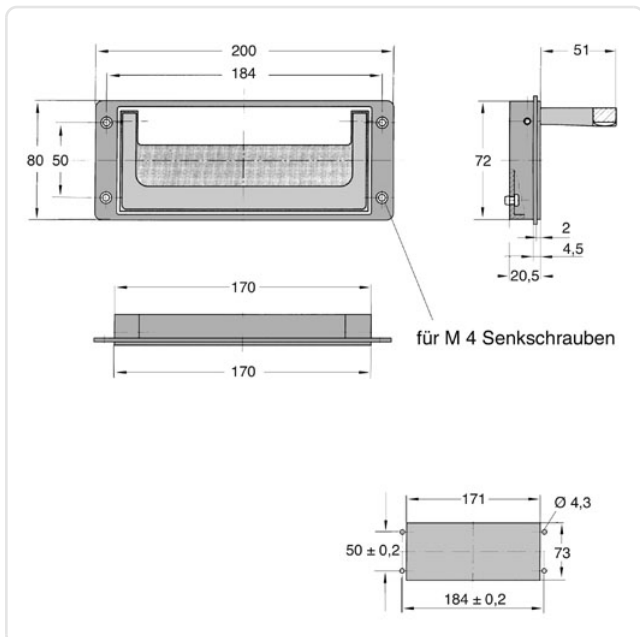
Article datasheet

## Collapsible tray handle 200x80x20.5 Aluminium, grey white RAL 9002

Article-No.: 029.01.119



Image may be similar



Dist. Mounting Holes [mm]:	184
Height [mm]:	80
Material:	Aluminum ENAW-5754 / AlMg3, lead-free
Material Group:	Aluminum
Model:	Collapsible Handle
Width [mm]:	200
Weight:	285g
Conformities:	<div style="display: flex; gap: 10px;"> <div style="border: 1px solid green; padding: 2px; font-size: 8px;">Reach COMPLIANT</div> <div style="border: 1px solid green; padding: 2px; font-size: 8px;">RoHS COMPLIANT</div> <div style="border: 1px solid green; padding: 2px; font-size: 8px;">SVHC COMPLIANT</div> </div>



You can find all information on the web on our article detail page

Would you like individual advice?

We look forward to your email to [products@ettinger.de](mailto:products@ettinger.de).

Subject to change and errors.