

Article datasheet

## Wing Nut DIN315 M5 A2 Plain Stainless Steel

Article-No.: 002.26.052

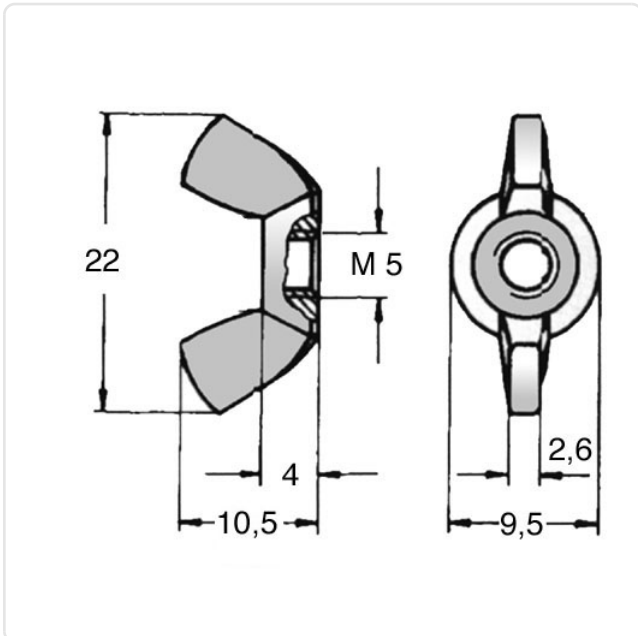


Image may be similar

AF / OD [mm]: 9.5  
DIN/ISO: DIN315  
Finish: Plain  
Height [mm]: 10.5  
Material: Stainless Steel AISI 304 / A2  
Material Group: Stainless Steel  
Thread Size: M5  
Weight: 3.06g  
Conformities:



You can find all information on the web on our article detail page



Would you like individual advice?

We look forward to your email to [products@ettinger.de](mailto:products@ettinger.de).

Subject to change and errors.