

Article datasheet

## TOP-Marker Type Scale for TOP Turning Knob

Article-No.: 053.05.006

Manufacturer: OKW Gehäusesysteme

Manufacturer article-no.: A1105006

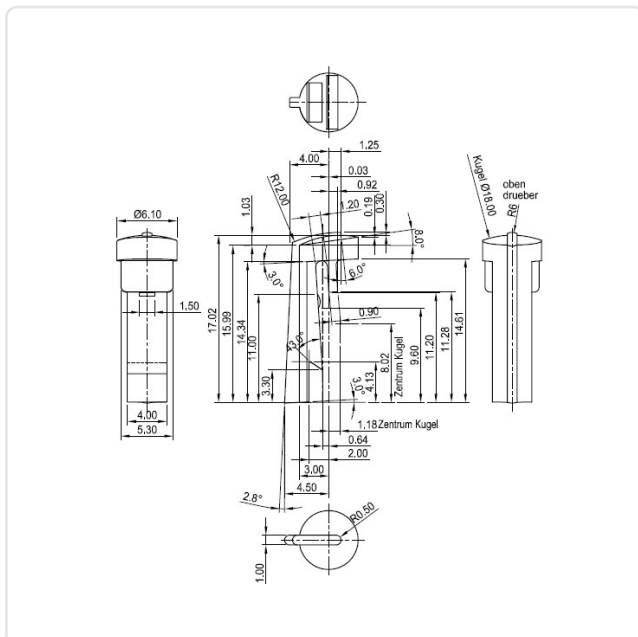


Color: Blue  
Material: PA 6.0  
Material Group: Plastic  
Model: Marker for TOP Knob  
Weight: 0.03g  
Conformities:



You can find all information on the web on our article detail page

Image may be similar



Would you like individual advice?

We look forward to your email to [products@ettinger.de](mailto:products@ettinger.de).

Subject to change and errors.