

Article datasheet

## Blade Terminal 4.8x0.8 | 14.0 Tin-Plated Brass

Article-No.: 019.48.074

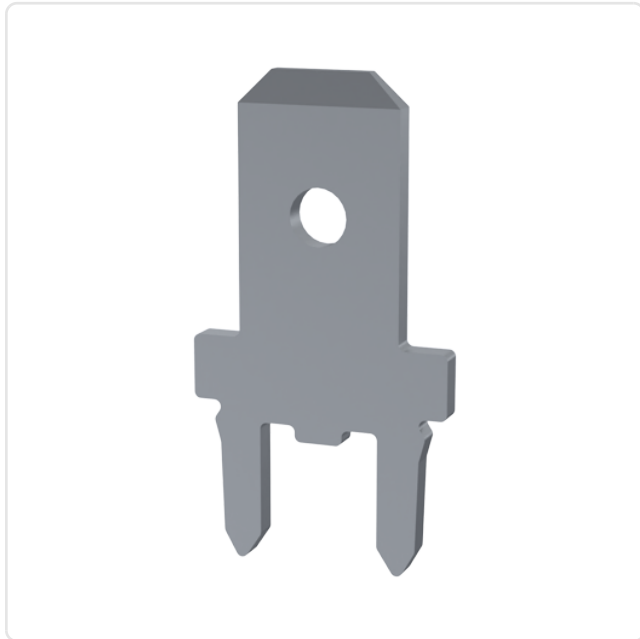
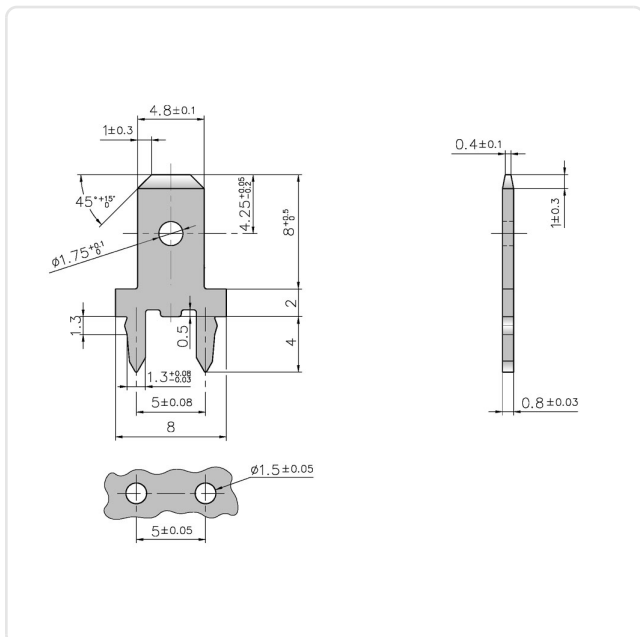


Image may be similar

Bending Angle [°]:	0
Finish:	Tin-Plated
Grid [mm]:	5.08
Length [mm]:	14
Material:	Brass
PCB Hole Ø [mm]:	1.5
Plug-In Length [mm]:	8
Size [mm]:	4.8x0.8
Tabs:	1
Weight:	0.4g
Conformities:	



You can find all  
information on the web on  
our article detail page



Would you like individual advice?

We look forward to your email to [products@ettinger.de](mailto:products@ettinger.de).

Subject to change and errors.