

Article datasheet

## Hole Plug $\varnothing 15.4/19.5 \times 8.5$ mm for M18 Polyethylen, black

Article-No.: 014.14.950

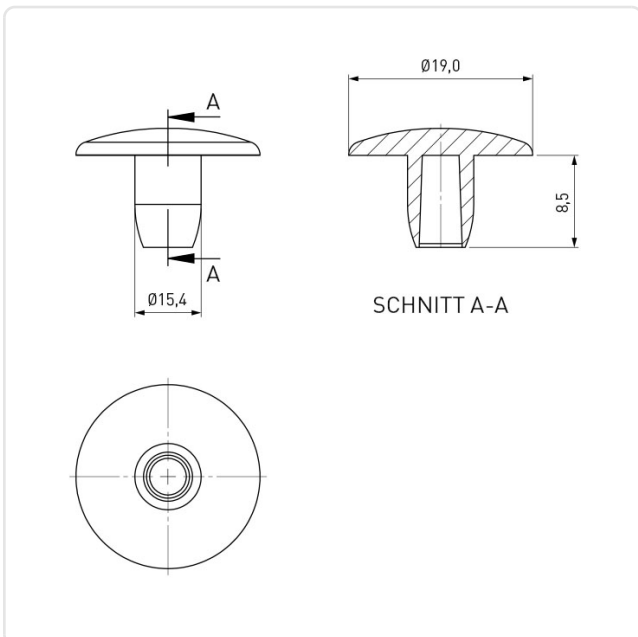


Image may be similar

Color: Black  
Inner Diameter [mm]: 15.4  
Material: PE - Polyethylene  
Material Group: Kunststoff  
Model: Hole Plug  
Outer Diameter [mm]: 19  
Weight: 0.85g  
Conformities:



You can find all  
information on the web on  
our article detail page



Would you like individual advice?

We look forward to your email to [products@ettinger.de](mailto:products@ettinger.de).

Subject to change and errors.