

Article datasheet

Female PC Faston 2.8x0.8mm Brass tinned

Article-No.: 019.28.077

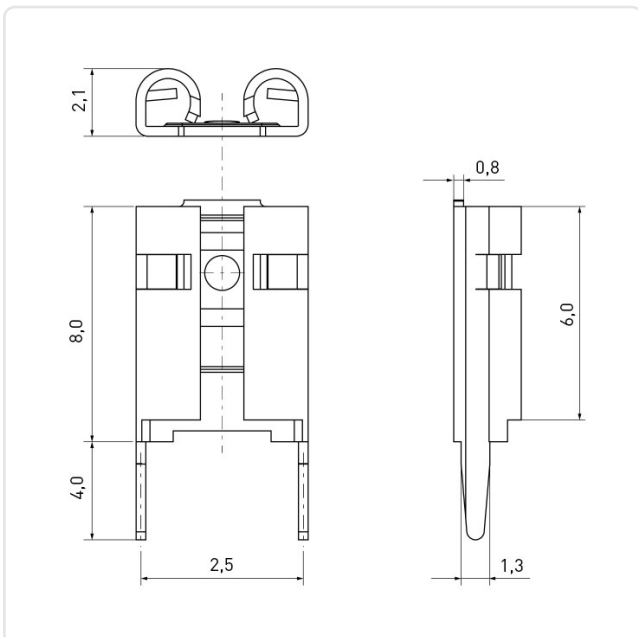


Image may be similar

DIN/ISO: DIN46247
Finish: Tin-Plated
Length [mm]: 8
Material: Brass
Material Group: Messing
Size [mm]: 2.8x0.5
Weight: 0.17g
Conformities:



You can find all
information on the web on
our article detail page



Would you like individual advice?

We look forward to your email to products@ettinger.de.

Subject to change and errors.