

Article datasheet

## Insulated Standoff Alkyd Resin - ST M/M Ø20x18 | Thread M8x15 / M8x15

Article-No.: 032.18.883

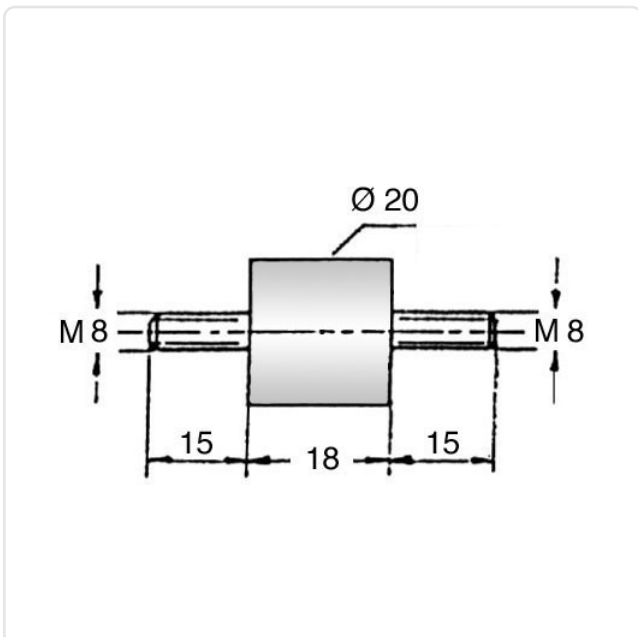


Image may be similar

AF / OD [mm]:	20
Length [mm]:	18
Material:	PES - Polyester
Profile:	Round
Thread 1 Length [mm]:	15
Thread 1 Size:	M8
Thread 2 Length [mm]:	15
Thread 2 Size:	M8
Thread Insert Material:	Steel
Weight:	26.23g
Conformities:	



You can find all  
information on the web on  
our article detail page



Would you like individual advice?

We look forward to your email to [products@ettinger.de](mailto:products@ettinger.de).

Subject to change and errors.