

Article datasheet

Standoff Galvanized Steel M/F AF5.5x13.5 F=M3x7 M=M3x6 w/ Undercut

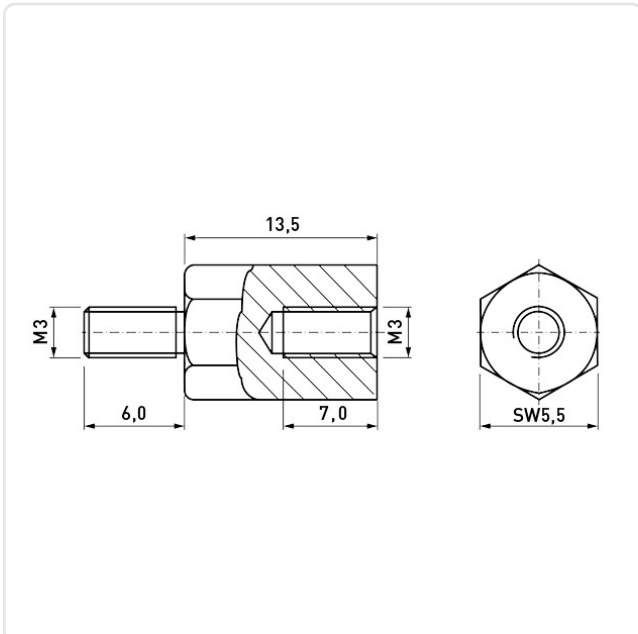
Article-No.: 005.13.137



| | |
|----------------------------|------------------------------|
| AF / OD [mm]: | 5.5 |
| Female Thread Length [mm]: | 7 |
| Female Thread Size: | M3 |
| Finish: | Galvanized, Blue, 5 µm, A2K |
| Length [mm]: | 13.5 |
| Male Thread Length [mm]: | 6 |
| Male Thread Size: | M3 |
| Material: | Steel AISI 12L13 / 11SMnPb30 |
| Material Group: | Stahl |
| Profile: | Hexagonal |
| Undercut: | Yes |
| Weight: | 2.45g |
| Conformities: | |



Image may be similar



You can find all
information on the web on
our article detail page

Would you like individual advice?

We look forward to your email to products@ettinger.de.

Subject to change and errors.