

Article datasheet

Knurled Knobs / for Hex Screws / $\varnothing 20\text{mm} \times 7.5\text{mm}$ / black

Article-No.: 002.39.060

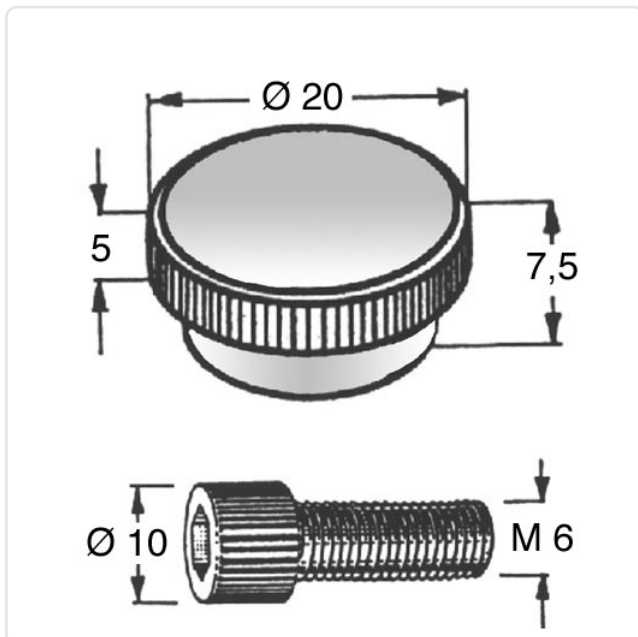


Image may be similar

Color: Black
Diameter [mm]: 20
Flammability Class: UL94-HB
Height [mm]: 7.5
Material: POM - Polyoxymethylene
Material Group: Plastic
Thread Size: M6
Weight: 1.81g
Conformities:



You can find all information on the web on our article detail page



Would you like individual advice?

We look forward to your email to products@ettinger.de.

Subject to change and errors.