

Article datasheet

## Press Nut M8 | SW13x6.5 Galvanized Steel

Article-No.: 002.14.181

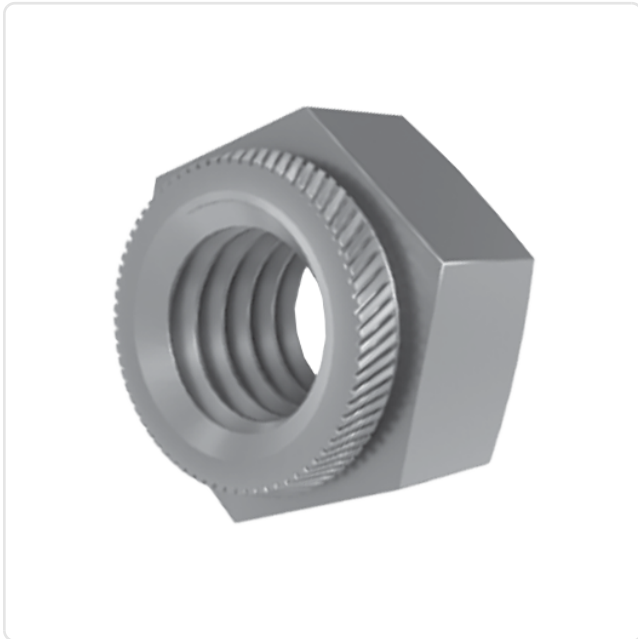





Image may be similar

AF / OD [mm]:	13
Finish:	Galvanized, Blue, 5 µm, A2K
Height [mm]:	6.5
Material:	Steel
Material Group:	Steel
Panel Hole Ø [mm]:	10
Panel Thickness [mm]:	2
Thread Size:	M8
Weight:	3.95g
Conformities:	  



You can find all information on the web on our article detail page

Would you like individual advice?

We look forward to your email to [products@ettinger.de](mailto:products@ettinger.de).

Subject to change and errors.

