

Article datasheet

## Coincell Holder for 1x $\varnothing 23 \times 3$ mm cell PBT black UL94-V0 E45587

Article-No.: 015.61.231

Manufacturer: Keystone Electronics

Manufacturer article-no.: 107

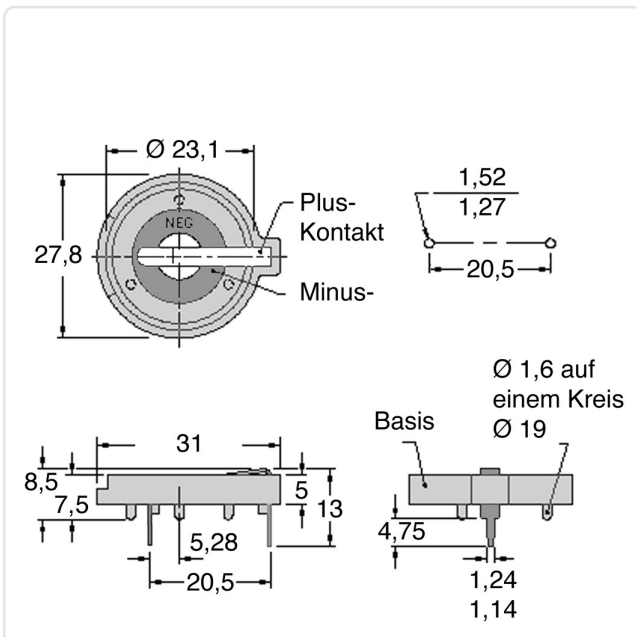


Image may be similar

Battery Type: Cell Dia. 23mm  
 Cell diameter [mm]:  $\varnothing 23.0$   
 Finish: Nickel-Plated, 3  $\mu\text{m}$ , E1E  
 Flammability Class: UL94-V0  
 Height [mm]: 8.5  
 Material: PBT - Polybutylene Terephthalate  
 Model: PCB Mounting Connection  
 No. Cells: 1  
 Weight: 3.3g  
 Conformities:



You can find all information on the web on our article detail page



Would you like individual advice?

We look forward to your email to [products@ettinger.de](mailto:products@ettinger.de).

Subject to change and errors.