

Article datasheet

Drive Fastener $\varnothing 6.4/1.5-6.5$ mm panel POM-Polyoxymethylen,natural UL94-HB

Article-No.: 072.17.771

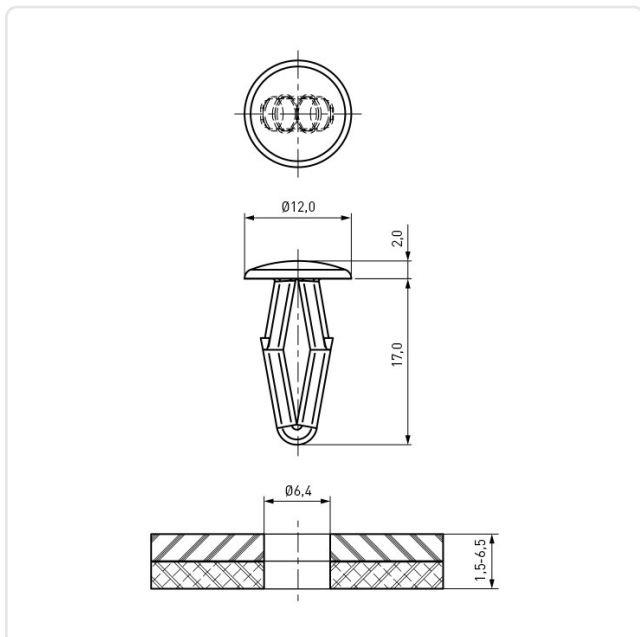


Image may be similar

Color:	Natural
Head Diameter [mm]:	12
Material:	POM - Polyoxymethylene
Material Group:	Plastic
Mounting Hole [mm]:	6.4
Panel Thickness Range [mm]:	1.5 - 6.5
Weight:	0.51g
Conformities:	



You can find all information on the web on our article detail page



Would you like individual advice?

We look forward to your email to products@ettinger.de.

Subject to change and errors.