

Article datasheet

## Fuse Holder for 5mm und 2AG fuses Brass tinnded/reel 700 pcs SMT mounting

Article-No.: 015.06.975

Manufacturer: Keystone Electronics

Manufacturer article-no.: 3561TR

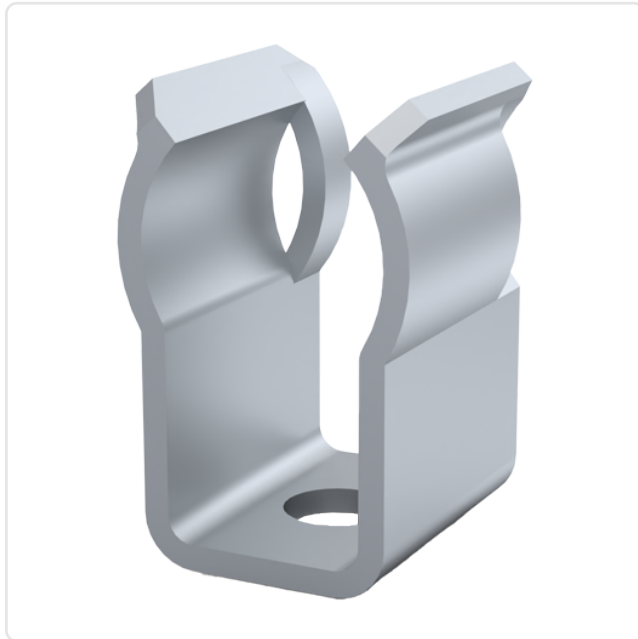
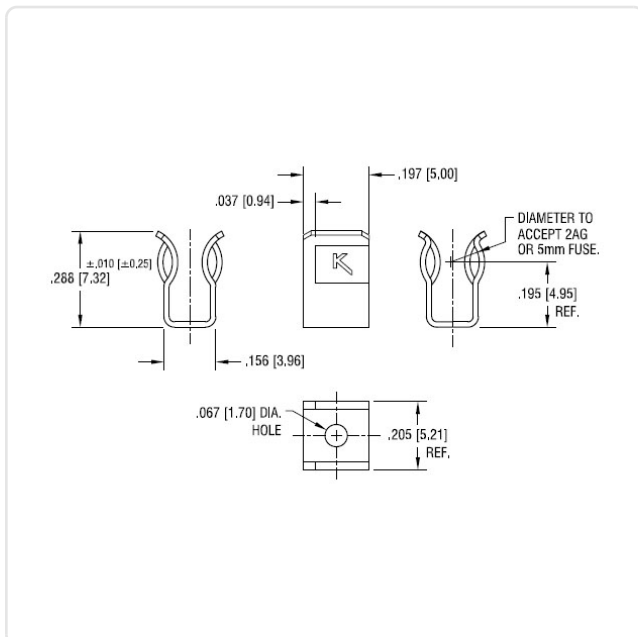


Image may be similar

Amperage [A]: 15  
 Fuse Size [mm]: 5.0x20.0  
 Material: Brass  
 Model: Clip Holder  
 Mounting Hole [mm]: 1.7  
 Weight: 33g  
 Conformities:



You can find all information on the web on our article detail page



Would you like individual advice?

We look forward to your email to [products@ettinger.de](mailto:products@ettinger.de).

Subject to change and errors.