

Article datasheet

Anti-Kink Sleeve $\varnothing 6.8/37.6$ mm PVC black $-25^{\circ}/+70^{\circ}\text{C}$

Article-No.: 014.02.068

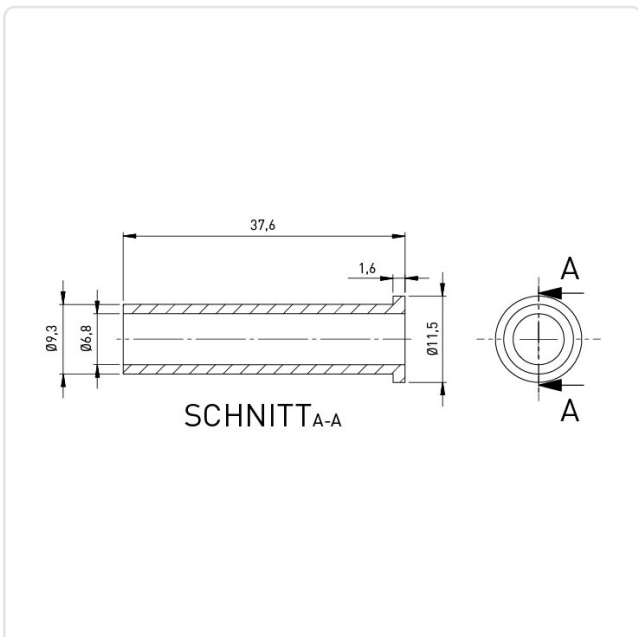


Image may be similar

Color: Black
Inner Diameter [mm]: 6.8
Material: PVC - Polyvinyl Chloride
Material Group: Plastic
Mounting Hole [mm]: 9.5
Panel Thickness [mm]: 0
Weight: 1.66g
Conformities:



You can find all
information on the web on
our article detail page



Would you like individual advice?

We look forward to your email to products@ettinger.de.

Subject to change and errors.