

Article datasheet

Locking and Sealing Washer $\text{\O}6.2/12.7 \times 3.8$ Polyamide 6 natural

Article-No.: 003.07.266

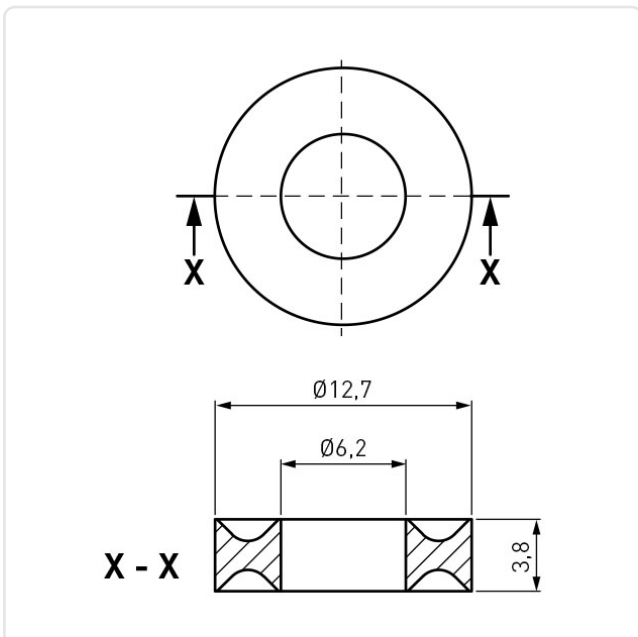


Image may be similar

For Thread Size: M6
Height [mm]: 3.8
Inner Diameter [mm]: 6.2
Material: PA 6.0
Material Group: Plastic
Outer Diameter [mm]: 12.7
Weight: 0.26g
Conformities:



You can find all
information on the web on
our article detail page



Would you like individual advice?

We look forward to your email to products@ettinger.de.

Subject to change and errors.