

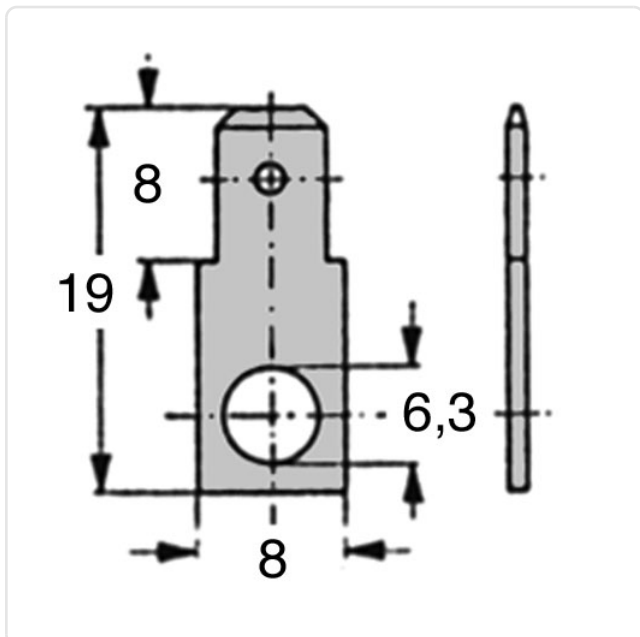
Article datasheet

## Blade Terminal 6.3x0.8 | $\varnothing$ 6.3 Tin-Plated Brass

Article-No.: 019.68.261



Image may be similar



Bending Angle [°]:	0
Finish:	Tin-Plated
Length [mm]:	19
Material:	Brass
Material Group:	Brass
Mounting Hole [mm]:	6.3
Plug-In Length [mm]:	8
Size [mm]:	6.3x0.8
Tabs:	1
Weight:	0.7g
Conformities:	



You can find all  
information on the web on  
our article detail page

Would you like individual advice?

We look forward to your email to [products@ettinger.de](mailto:products@ettinger.de).

Subject to change and errors.