

Article datasheet

Butt Connector for 1.5-2.5mm² Polyamide blue UL-listed E392382

Article-No.: 018.73.526

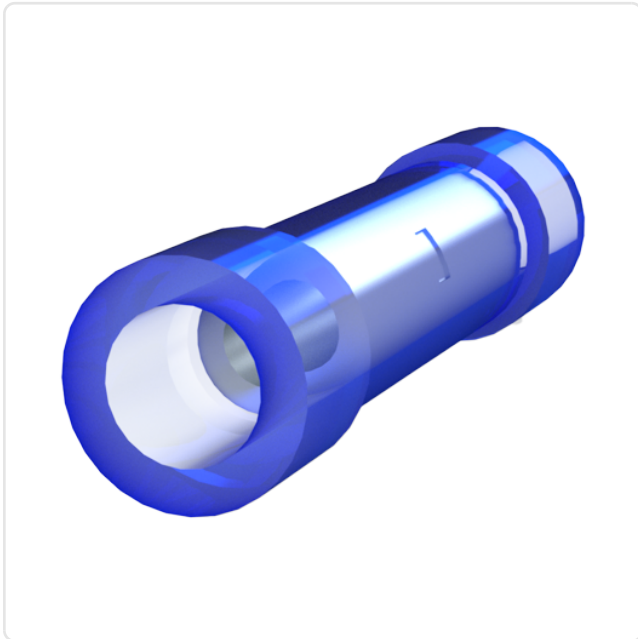


Image may be similar

Color: Blue
Insulation: Polyamide
Material: Copper
Wire Cross Section [mm²]: 1.5-2.5
Weight: 1.4g
Conformities:



You can find all information on the web on our article detail page

Would you like individual advice?

We look forward to your email to products@ettinger.de.

Subject to change and errors.

