

Article datasheet

Eyelet Terminal DIN41496 U 1-4 Brass silver-plated hole \varnothing 3.2mm

Article-No.: 019.06.040

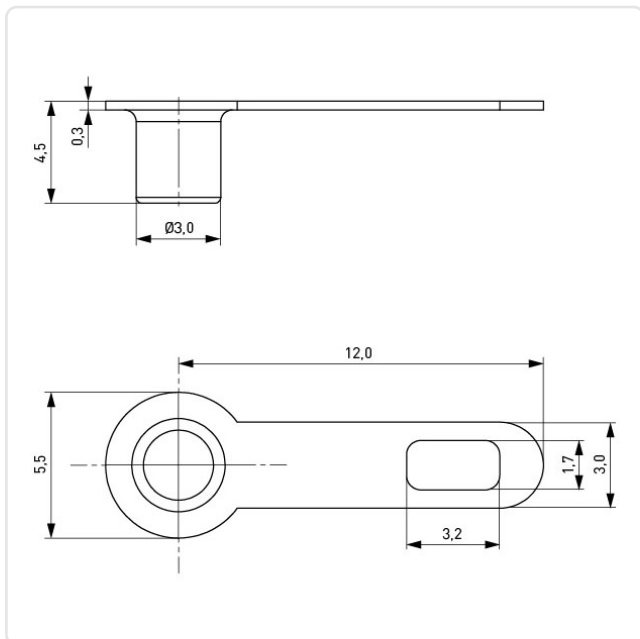


Image may be similar

DIN/ISO: DIN41496
Finish: Silver-Plated
Inner Diameter [mm]: 3.2
Length [mm]: 12
Material: Brass CW508L / CuZn37, lead-free
Material Group: Brass
Outer Diameter [mm]: 5.5
Weight: 0.2g
Conformities:



You can find all information on the web on our article detail page



Would you like individual advice?

We look forward to your email to products@ettinger.de.

Subject to change and errors.