

Article datasheet

Turning Knob Aluminum

Article-No.: 054.12.248

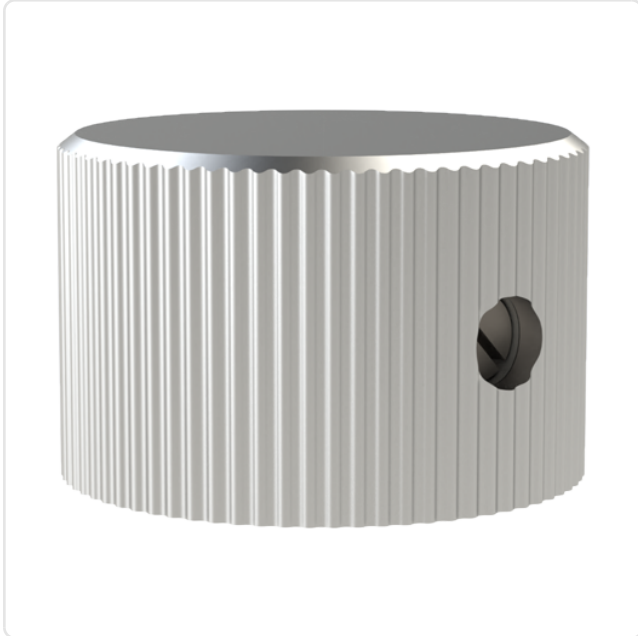
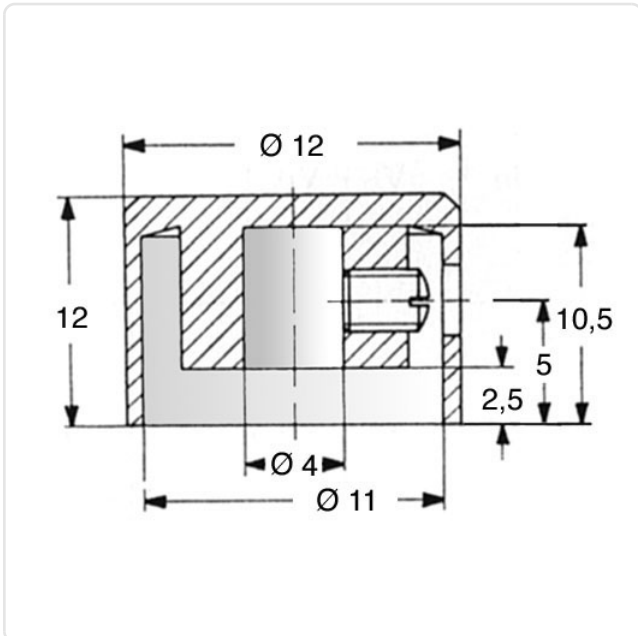


Image may be similar



Height [mm]:	12
Inner Diameter [mm]:	4
Material:	Aluminum ENAW-5754 / AlMg3, lead-free
Material Group:	Aluminum
Model:	Knurled Knob
Outer Diameter [mm]:	12
Weight:	2.8g
Conformities:	



You can find all information on the web on our article detail page

Would you like individual advice?

We look forward to your email to products@ettinger.de.

Subject to change and errors.