

Article datasheet

Retaining Ring Ø3.5/7.5 x 2.5 POM red

Article-No.: 003.15.104

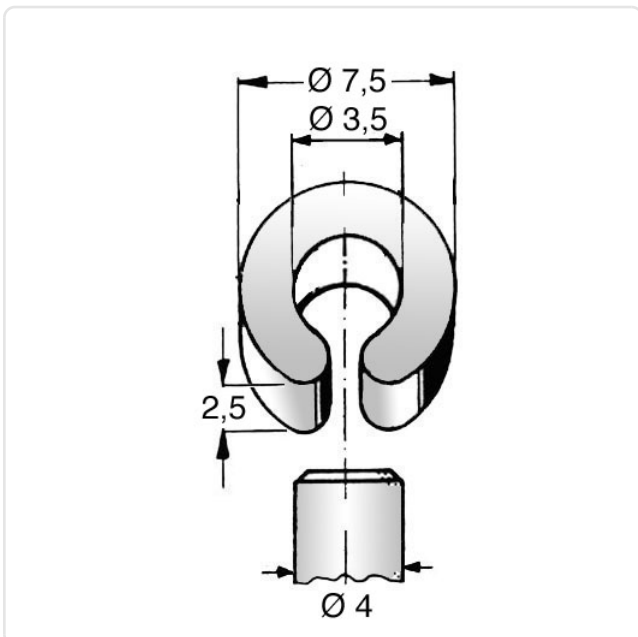


Image may be similar

Color: Red
Height [mm]: 2.5
Inner Diameter [mm]: 3.5
Material: POM - Polyoxymethylene
Material Group: Kunststoff
Outer Diameter [mm]: 7.5
Weight: 0.09g
Conformities:



You can find all
information on the web on
our article detail page



Would you like individual advice?

We look forward to your email to products@ettinger.de.

Subject to change and errors.