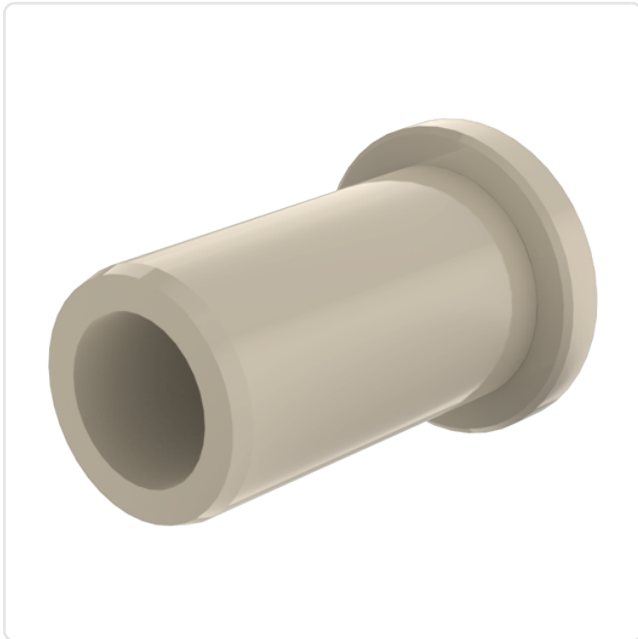


Article datasheet

Flanged Bearing $\varnothing 8/12/16 \times 6$ -2mm Polyamid 6.6 natural

Article-No.: 005.99.087



Color: Natural
Flammability Class: UL94-V2
Inner Diameter [mm]: 8
Length [mm]: 6
Lug Diameter [mm]: 12
Material: PA 6.6
Material Group: Plastic
Model: With High Lug
Outer Diameter [mm]: 16
Weight: 0.66g
Conformities:



Image may be similar



You can find all
information on the web on
our article detail page

Would you like individual advice?

We look forward to your email to products@ettinger.de.

Subject to change and errors.

