

Article datasheet

## Fuse holder 5x20mm with screw cap LCP black UL94-V0/6.3A 250V/IP40

Article-No.: 015.06.605

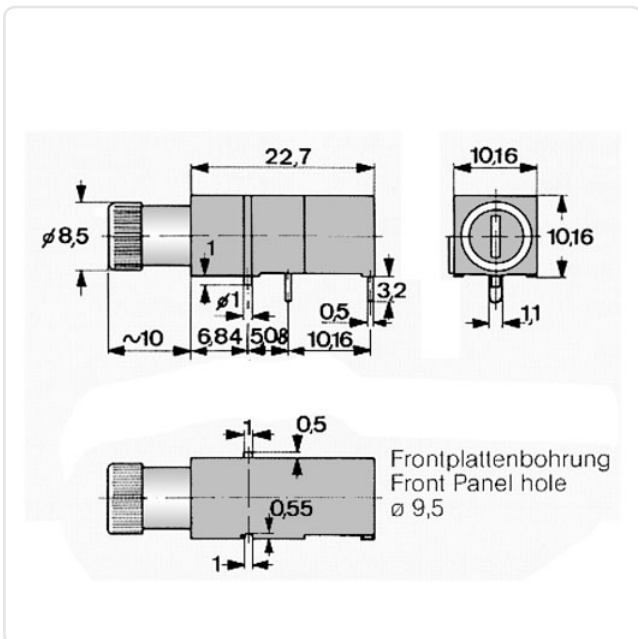


Image may be similar

Amperage [A]:	6.3
Fuse Size [mm]:	5.0x20.0
Material:	Plastic
Model:	Fuse Holder
Mounting Hole [mm]:	9.5
Protection Code:	IP40
Weight:	4.08g
Conformities:	<div style="display: flex; gap: 10px;"> <div style="border: 1px solid green; padding: 2px; font-size: 8px;">Reach COMPLIANT</div> <div style="border: 1px solid green; padding: 2px; font-size: 8px;">RoHS COMPLIANT</div> <div style="border: 1px solid green; padding: 2px; font-size: 8px;">SVHC COMPLIANT</div> </div>



You can find all information on the web on our article detail page



Would you like individual advice?

We look forward to your email to [products@ettinger.de](mailto:products@ettinger.de).

Subject to change and errors.