

Article datasheet

Contact Washer $\text{\O}12.4/24.0 \times 1.6$ White Galv. Spring Stee

Article-No.: 003.20.121

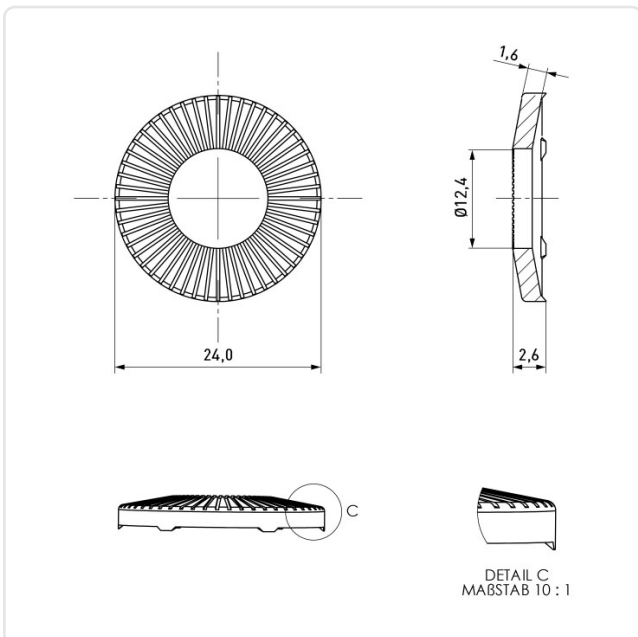


Image may be similar

Finish: Galvanized, White, 15–25 μm
For Thread Size: M12
Height [mm]: 1.6
Inner Diameter [mm]: 12.4
Material: Spring Steel
Material Group: Stahl
Outer Diameter [mm]: 24
Weight: 3.94g
Conformities:



You can find all information on the web on our article detail page



Would you like individual advice?

We look forward to your email to products@ettinger.de.

Subject to change and errors.