

Article datasheet

Retaining Ring Ø12.0/17.6 x 0.85 Phosphated Spring Steel

Article-No.: 003.15.512

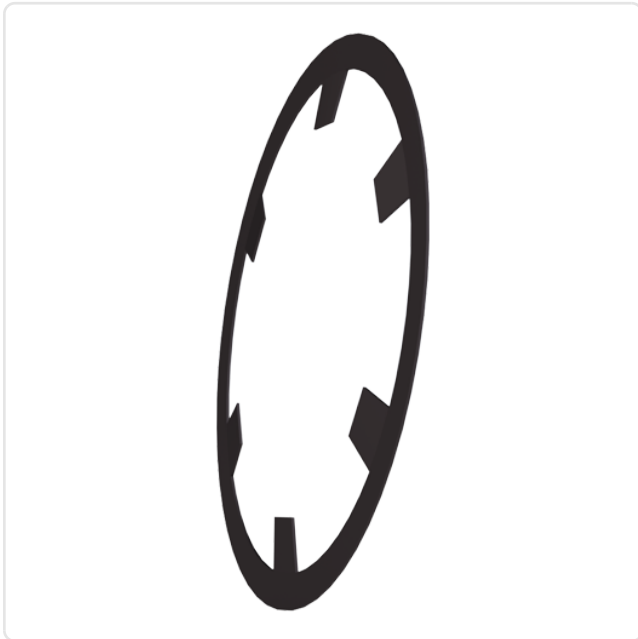
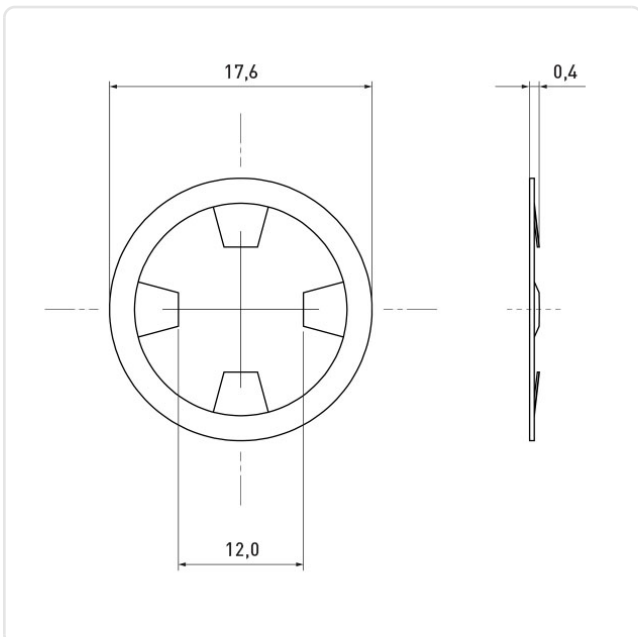


Image may be similar

Finish: Phosphated
Height [mm]: 0.85
Inner Diameter [mm]: 12
Material: Spring Steel
Material Group: Steel
Outer Diameter [mm]: 17.6
Shaft Diameter [mm]: 12
Weight: 0.29g
Conformities:



You can find all information on the web on our article detail page



Would you like individual advice?

We look forward to your email to products@ettinger.de.

Subject to change and errors.