

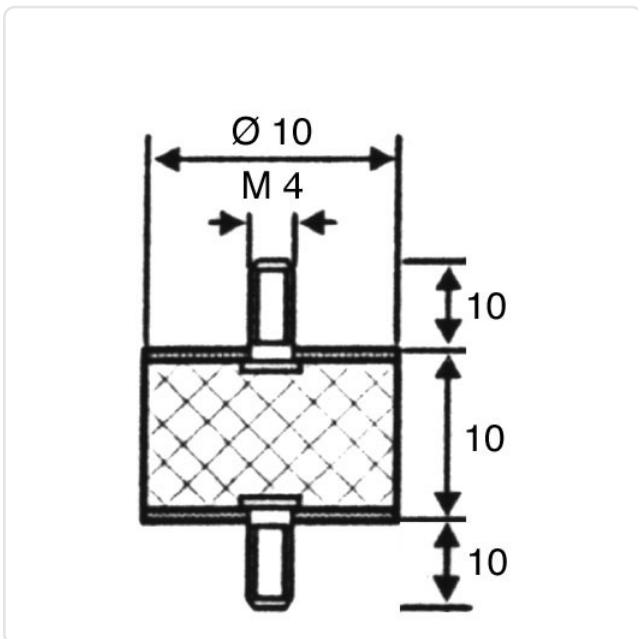
Article datasheet

Vibration Mount Type A - 67 Shore / Cylindric \varnothing 10,0mm

Article-No.: 071.33.144



Image may be similar



Diameter [mm]:	10
Finish:	Galvanized, Blue, 5 μ m, A2K
Height [mm]:	10
Male Thread Length [mm]:	10
Material:	Natural Rubber
Material Group:	Plastic
Shore-Hardness:	Grade of Hardness 67°
Thread Size:	M4
Weight:	3.09g
Conformities:	



You can find all information on the web on our article detail page

Would you like individual advice?

We look forward to your email to products@ettinger.de.

Subject to change and errors.