

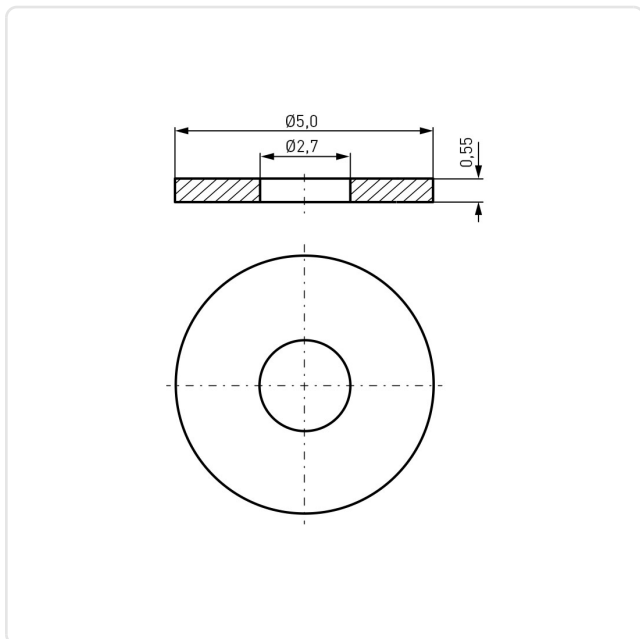
Article datasheet

Flat Washer DIN433/ISO7092 $\varnothing 2.7/5.0$ x 0.5 Nickel-Plated Steel

Article-No.: 003.01.023



Image may be similar



DIN/ISO:	DIN433 / ISO7092
Finish:	Nickel-Plated, 3 μ m, E1E
For Thread Size:	M2.5
Height [mm]:	0.5
Inner Diameter [mm]:	2.7
Material:	Steel
Material Group:	Stahl
Outer Diameter [mm]:	5
Weight:	0.05g
Conformities:	



You can find all
information on the web on
our article detail page

Would you like individual advice?

We look forward to your email to products@ettinger.de.

Subject to change and errors.