

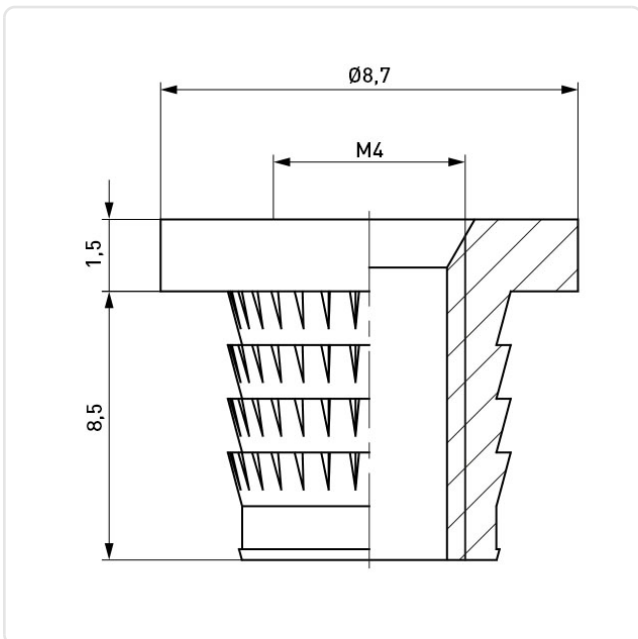
Article datasheet

## Thread Insert M4 | 8.5 Plain Brass

Article-No.: 002.21.441



Image may be similar



Finish:	Plain
Head Diameter [mm]:	8.7
Length [mm]:	8.5
Material:	Brass
Material Group:	Brass
Minimum Edge Distance [mm]:	2.5
Panel Hole $\varnothing$ [mm]:	5.9
Thread Size:	M4
Weight:	1.63g
Conformities:	



You can find all information on the web on our article detail page

Would you like individual advice?

We look forward to your email to [products@ettinger.de](mailto:products@ettinger.de).

Subject to change and errors.