




Article datasheet

Spring Washer DIN137 A Ø6.4/11.0 x 0.5 Yellow Galvanized Spring

Article-No.: 003.22.064

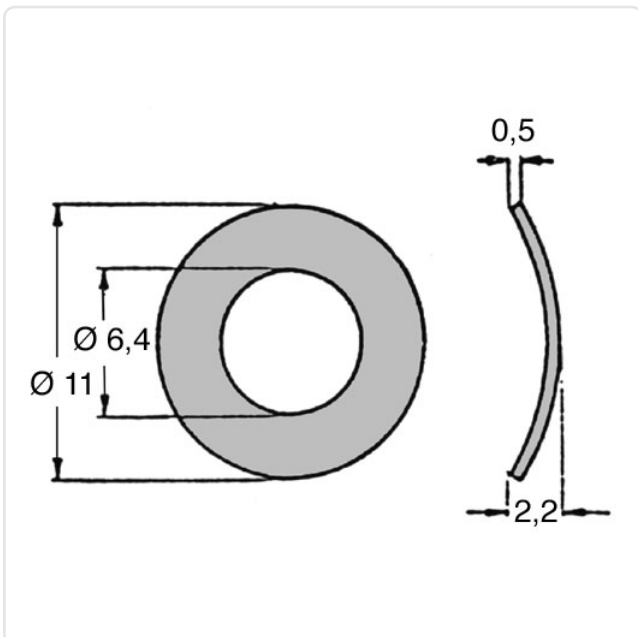


Image may be similar

DIN/ISO:	DIN137A
Finish:	Galvanized, Yellow, 8 µm, A3G
For Thread Size:	M6
Height [mm]:	0.5
Inner Diameter [mm]:	6.4
Material:	Spring Steel
Material Group:	Steel
Outer Diameter [mm]:	11
Weight:	0.24g
Conformities:	  



You can find all
information on the web on
our article detail page



Would you like individual advice?

We look forward to your email to products@ettinger.de.

Subject to change and errors.