

Article datasheet

## Cable terminal Copper,tinned/0.5-1.0mm<sup>2</sup> AWG 22-18

Article-No.: 018.61.645

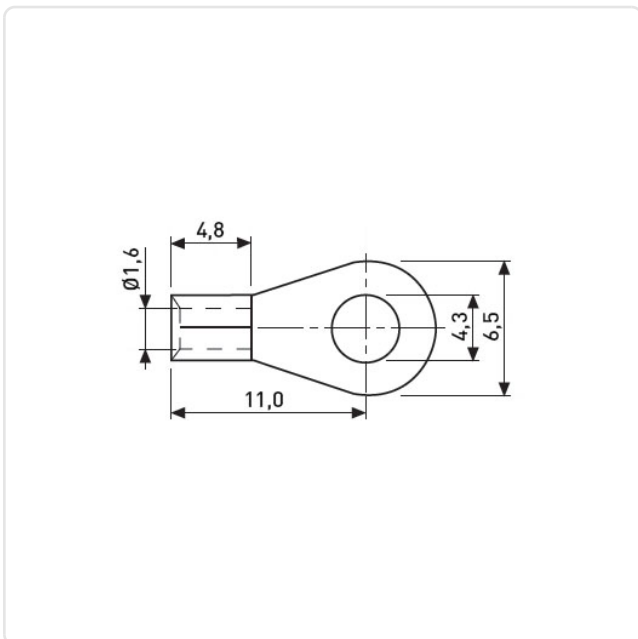


Image may be similar

DIN/ISO:	DIN46234-A
For Thread Size:	M4
Inside Dia.D1 [mm]:	1.6
Material:	Electrolytic Copper
Outer Diameter [mm]:	6.5
Wire Cross Section [mm <sup>2</sup> ]:	0.5-1.0
Weight:	0.47g
Conformities:	



You can find all  
information on the web on  
our article detail page



Would you like individual advice?

We look forward to your email to [products@ettinger.de](mailto:products@ettinger.de).

Subject to change and errors.