

Article datasheet

Fuse Holder-Panel Mount 5x20mm Bayonet Cap/Screwdriver Release

Article-No.: 015.08.210

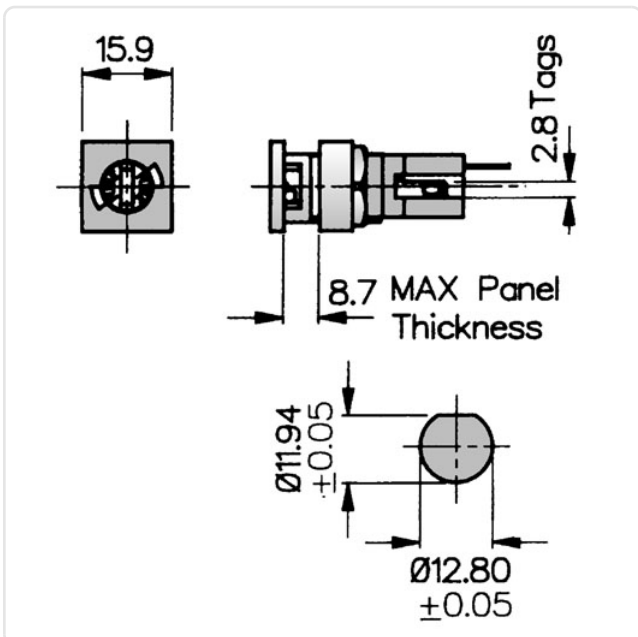


Image may be similar

Amperage [A]:	16
Fuse Size [mm]:	5.0x20.0
Material:	PES - Polyester
Material Group:	Plastic
Model:	Fuse Holder
Mounting Hole [mm]:	12.8
Protection Code:	IP40
Weight:	6.97g
Conformities:	



You can find all information on the web on our article detail page



Would you like individual advice?

We look forward to your email to products@ettinger.de.

Subject to change and errors.