

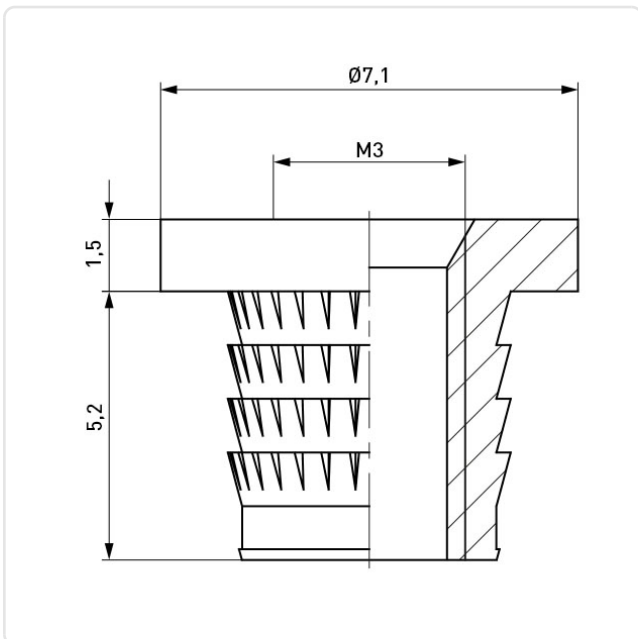
Article datasheet

## Thread Insert M3 | 5.2 Plain Brass

Article-No.: 002.21.431



Image may be similar



Finish:	Plain
Head Diameter [mm]:	7.1
Length [mm]:	5.2
Material:	Brass
Material Group:	Brass
Minimum Edge Distance [mm]:	1.7
Panel Hole $\varnothing$ [mm]:	4
Thread Size:	M3
Weight:	0.66g
Conformities:	



You can find all information on the web on our article detail page

Would you like individual advice?

We look forward to your email to [products@ettinger.de](mailto:products@ettinger.de).

Subject to change and errors.