

Article datasheet

## Anti-Kink Sleeve $\varnothing 7/10 \times 50$ mm Polychloropren (Neopren) black

Article-No.: 014.02.274

Manufacturer: SES-Sterling

Manufacturer article-no.: 02530057010

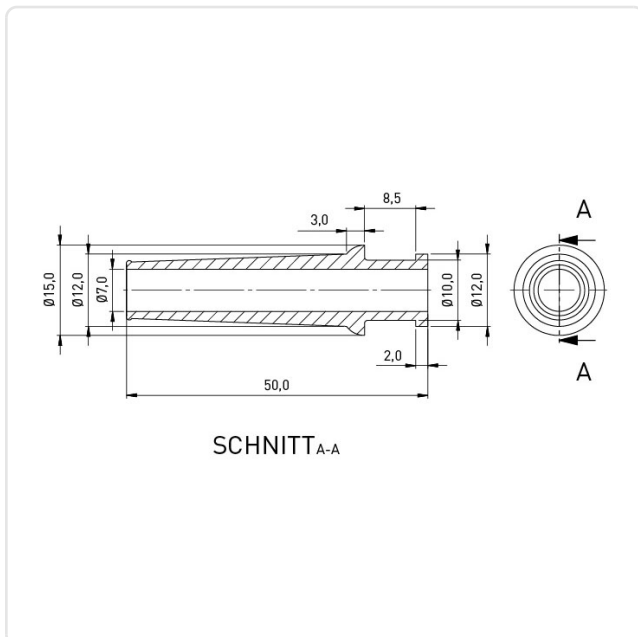


Image may be similar

Color: Black  
Inner Diameter [mm]: 7  
Material: CR - Polychloroprene  
Material Group: Plastic  
Mounting Hole [mm]: 10  
Panel Thickness [mm]: 8,5  
Weight: 4g  
Conformities:



You can find all information on the web on our article detail page



Would you like individual advice?

We look forward to your email to [products@ettinger.de](mailto:products@ettinger.de).

Subject to change and errors.