

Article datasheet

Split Washer DIN7980 Ø3.1/5.6 x 1.0 Galvanized Spring Steel

Article-No.: 003.68.031

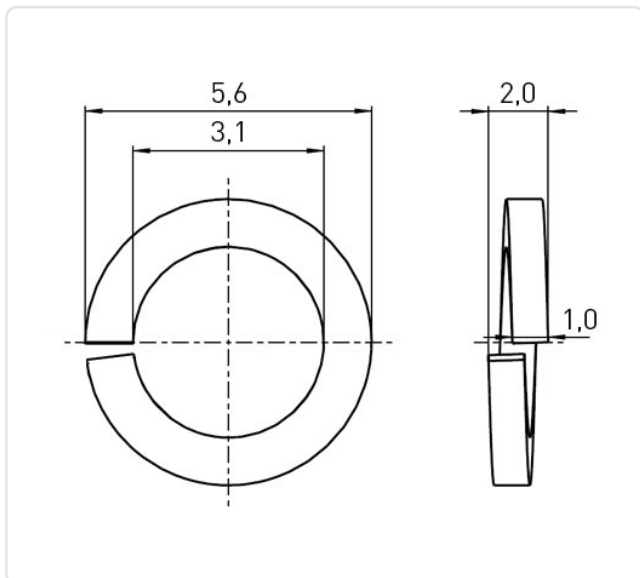


Image may be similar

DIN/ISO:	DIN7980
Finish:	Galvanized, Blue, 5 µm, A2K
For Thread Size:	M3
Height [mm]:	1
Inner Diameter [mm]:	3.1
Material:	Spring Steel
Material Group:	Steel
Outer Diameter [mm]:	5.6
Weight:	0.08g
Conformities:	



You can find all information on the web on our article detail page



Would you like individual advice?

We look forward to your email to products@ettinger.de.

Subject to change and errors.