

Article datasheet

Switch Illuminated Vandal Resistant Dot Illuminated, S.P. Push to Make

Article-No.: 011.12.163

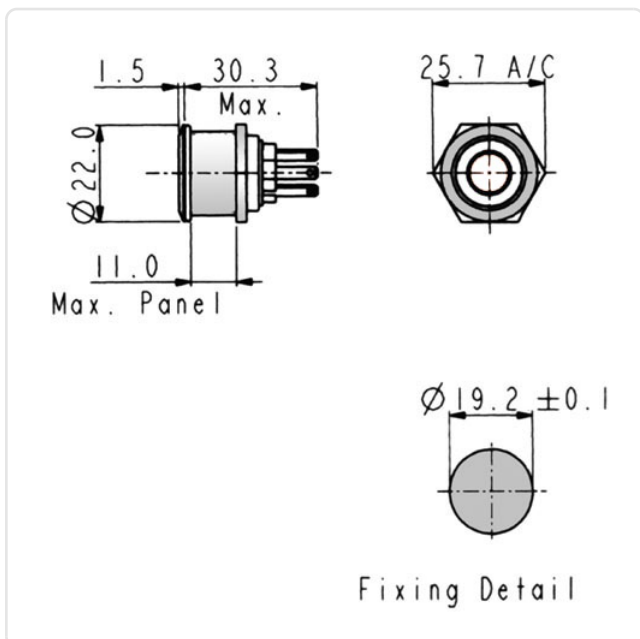


Image may be similar

Color:	White
Contact Plating:	Gold-plated
Diameter [mm]:	22
Material:	Stainless Steel AISI 316 / A4
Material Group:	Stainless Steel
Model:	Dot Illumination
Mounting Hole [mm]:	19.2
Conformities:	<div style="display: flex; gap: 10px;"> <div style="border: 1px solid green; padding: 2px; font-size: 8px;">Reach COMPLIANT</div> <div style="border: 1px solid green; padding: 2px; font-size: 8px;">RoHS COMPLIANT</div> <div style="border: 1px solid green; padding: 2px; font-size: 8px;">SVHC COMPLIANT</div> </div>



You can find all information on the web on our article detail page



Would you like individual advice?

We look forward to your email to products@ettinger.de.

Subject to change and errors.