

Article datasheet

Rivet Bush M2 | 0.5 - 0.6 Galvanized Steel

Article-No.: 002.15.012

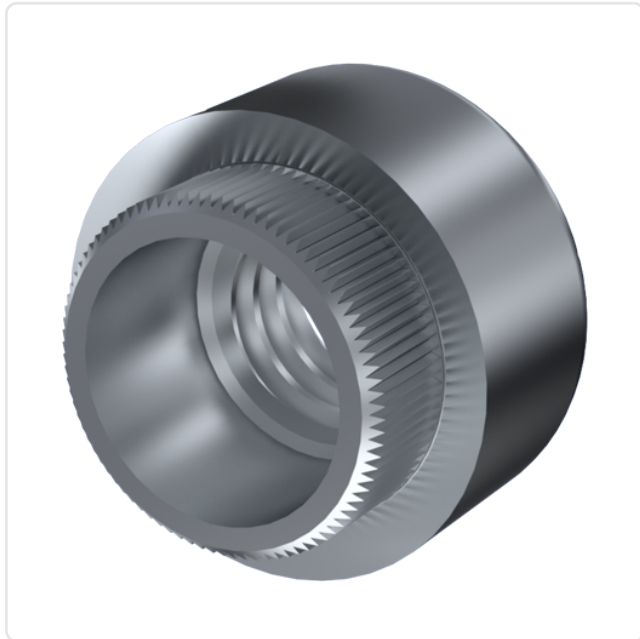
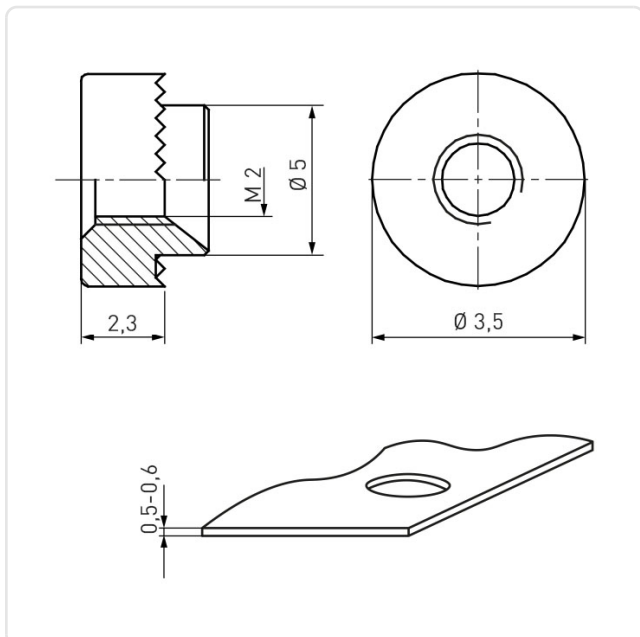


Image may be similar

Finish: Galvanized, Blue, 5 µm, A2K
Height [mm]: 2.3
Material: Steel
Outer Diameter [mm]: 5
Panel Hole Ø [mm]: 3.5
Panel Thickness [mm]: 0,5 - 0,6
Thread Size: M2
Weight: 0.32g
Conformities:



You can find all information on the web on our article detail page



Would you like individual advice?

We look forward to your email to products@ettinger.de.

Subject to change and errors.