

Article datasheet

Card Guide 1/16"-2mm PCB/203mm Polyamid black UL94-V0/177.8mm

Article-No.: 075.53.180

Manufacturer: BIVAR

Manufacturer article-no.: DC-800

BIVAR

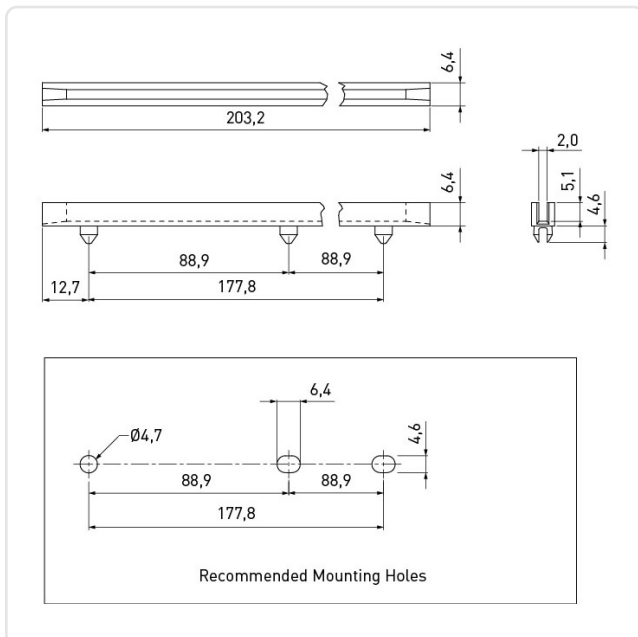


Image may be similar

Color: Black
 Dist. Mounting Holes [mm]: 177.8
 Flammability Class: UL94-V0
 Length [mm]: 203.2
 Material: PA 6.0 25% GF
 Material Group: Plastic
 Model: Plug-In Foot
 Width [mm]: 6.3
 Weight: 8.5g
 Conformities:



You can find all information on the web on our article detail page



Would you like individual advice?

We look forward to your email to products@ettinger.de.

Subject to change and errors.