

Article datasheet

## Hole Grommet 6.0/10.0-1.5mm Polychloropren (Neopren) black

Article-No.: 014.70.545

Manufacturer: SES-Sterling

Manufacturer article-no.: 0252 0019 010

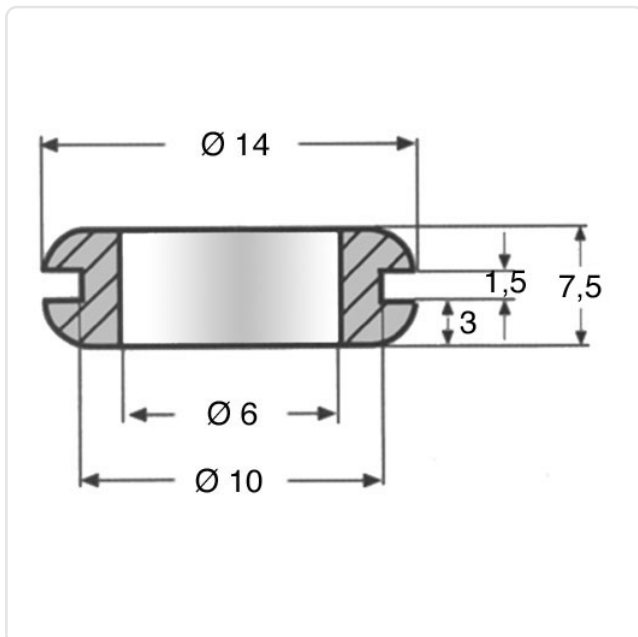


Image may be similar

Color: Black  
Inner Diameter [mm]: 6  
Material: CR - Polychloroprene  
Max. Panel Thickness [mm]: 1.5  
Mounting Hole [mm]: 10  
Weight: 1.34g  
Conformities:



You can find all information on the web on our article detail page



Would you like individual advice?

We look forward to your email to [products@ettinger.de](mailto:products@ettinger.de).

Subject to change and errors.