

Article datasheet

Batteryholder for 1x Mignon "AA" PBT black UL94-V0 E45587

Article-No.: 015.31.431

Manufacturer: Keystone Electronics

Manufacturer article-no.: 1028

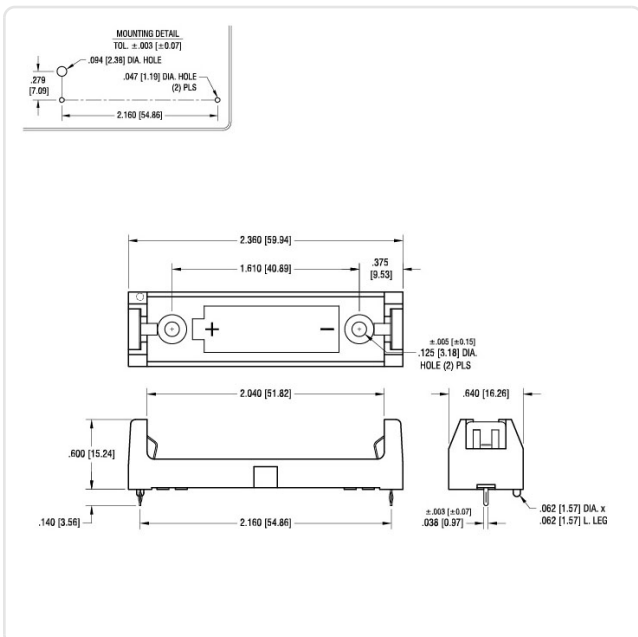


Image may be similar

Battery Type: AA-Mignon
 Flammability Class: UL94-V0
 Material: PBT - Polybutylene Terephthalate
 Model: PCB Mounting Connection
 No. Cells: 1
 Weight: 9.1g
 Conformities:



You can find all information on the web on our article detail page



Would you like individual advice?

We look forward to your email to products@ettinger.de.

Subject to change and errors.