

Article datasheet

Mounting Button Panel 5.6-7.1mm Polyamid 6.6,natural UL94-V2 E70062

Article-No.: 072.88.056

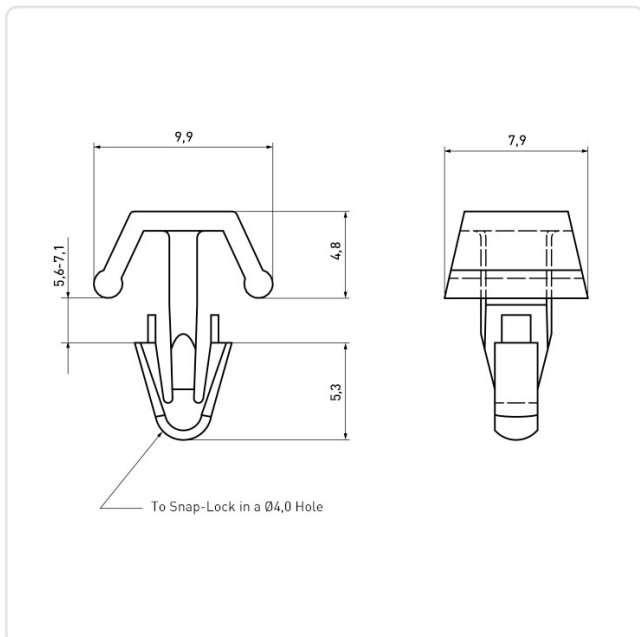


Image may be similar

Color:	Natural
Flammability Class:	UL94-V2
Head Diameter [mm]:	9.9
Material:	PA 6.6
Mounting Hole [mm]:	4
Panel Thickness Range [mm]:	5.6 - 7.1 mm
Weight:	0.25g
Conformities:	



You can find all information on the web on our article detail page



Would you like individual advice?

We look forward to your email to products@ettinger.de.

Subject to change and errors.