

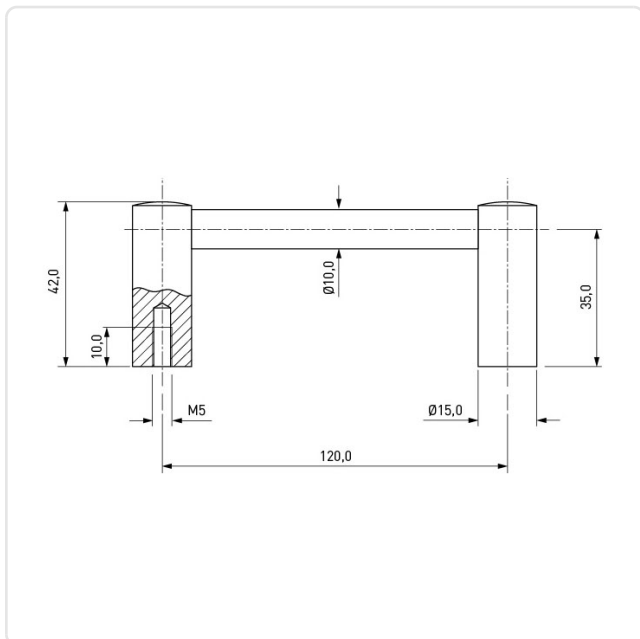
Article datasheet

## Handle 120/42/10mm M5 Stainless steel 1.4301

Article-No.: 029.59.120



Image may be similar



Dist. Mounting Holes [mm]:	120
Finish:	Plain
Height [mm]:	42
Material:	Stainless Steel AISI 304 / X5CrNi18-10
Material Group:	Stainless Steel
Model:	Equipment Handle
Thread Size:	M5
Width [mm]:	10
Conformities:	



You can find all information on the web on our article detail page

Would you like individual advice?

We look forward to your email to [products@ettinger.de](mailto:products@ettinger.de).

Subject to change and errors.