

Article datasheet

Mounting Button for 2.4-4.0mm Polyamid natural UL94-V2 E70062

Article-No.: 072.88.026

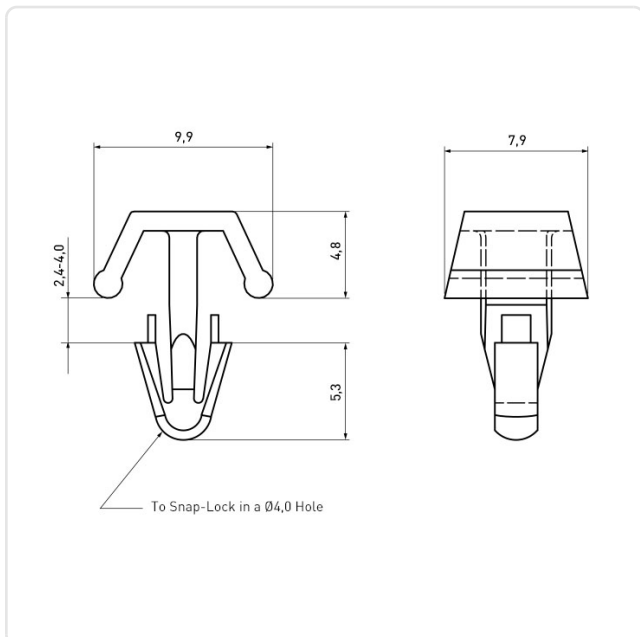


Image may be similar

Color:	Natural
Flammability Class:	UL94-V2
Head Diameter [mm]:	9.9
Material:	PA 6.6
Mounting Hole [mm]:	4
Panel Thickness Range [mm]:	2.4 - 4.0 mm
Weight:	0.19g
Conformities:	



You can find all information on the web on our article detail page



Would you like individual advice?

We look forward to your email to products@ettinger.de.

Subject to change and errors.