

Article datasheet

Solder Terminal Pin 2.8x11.3mm Brass silver-plated 0.6mm thick

Article-No.: 013.13.886

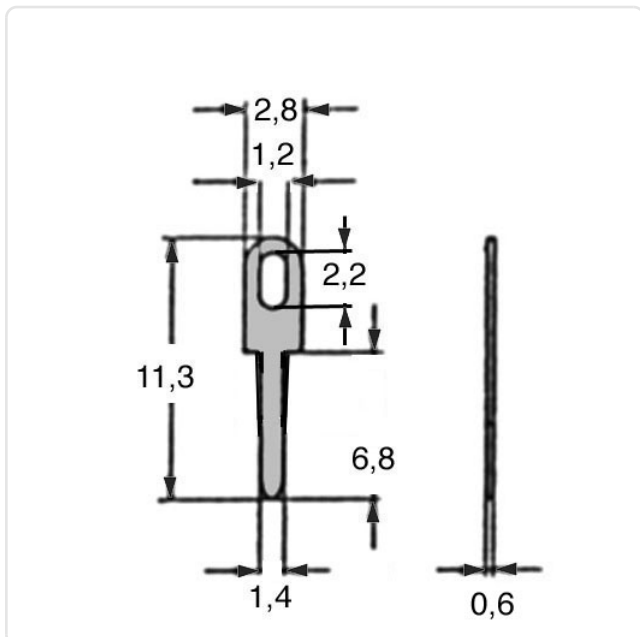


Image may be similar

Diameter [mm]: 2.8
Finish: Silver-Plated
Length [mm]: 11.3
Material: Brass CW508L / CuZn37, lead-free
Material Group: Brass
Model: flat
PCB Hole Ø [mm]: 1.3
Weight: 0.08g
Conformities:



You can find all information on the web on our article detail page



Would you like individual advice?

We look forward to your email to products@ettinger.de.

Subject to change and errors.