

Article datasheet

Straight-Thru Strain Relief Bushing plate thickness 1-4mm grey

Article-No.: 014.05.138

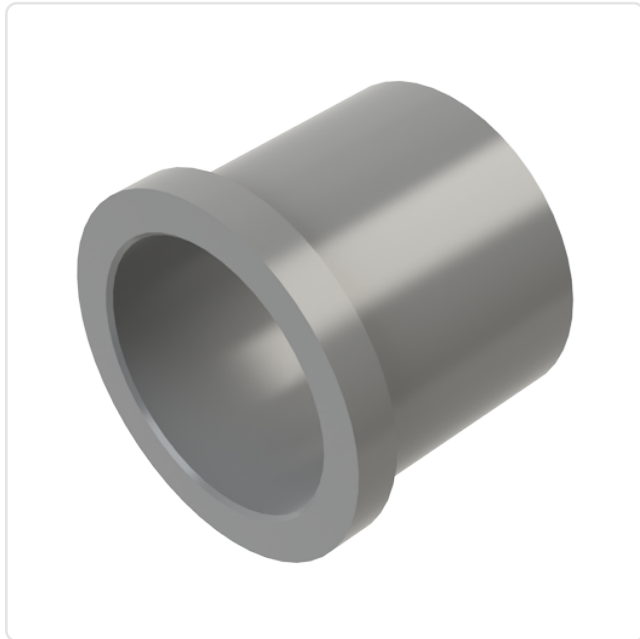


Image may be similar

Color: Gray
Material: PE - Polyethylene
Material Group: Plastic
Panel Thickness [mm]: 0
Weight: 0.61g
Conformities:



You can find all
information on the web on
our article detail page

Would you like individual advice?

We look forward to your email to products@ettinger.de.

Subject to change and errors.

