

Article datasheet

Cable Lug Pin Type DIN 46230 Copper tinned 1.5-2.5mm² AWG16-14

Article-No.: 018.58.275

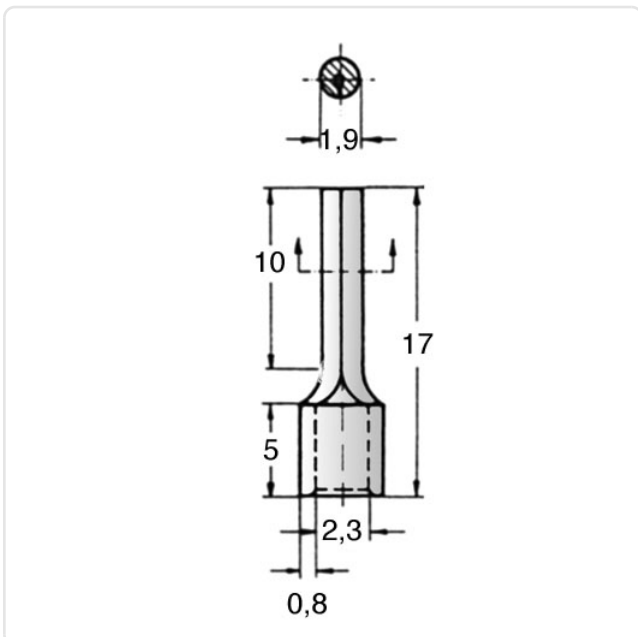


Image may be similar

Color: Silver
DIN/ISO: DIN46230
Material: Copper
Outer Diameter [mm]: 1.9
Wire Cross Section [mm²]: 1.5-2.5
Weight: 0.69g
Conformities:



You can find all information on the web on our article detail page



Would you like individual advice?

We look forward to your email to products@ettinger.de.

Subject to change and errors.