

Article datasheet

IEC Power Inlets Snap-In 3.0mm Polyamid black UL94-V0 6.3x0.8mm

Article-No.: 039.73.572

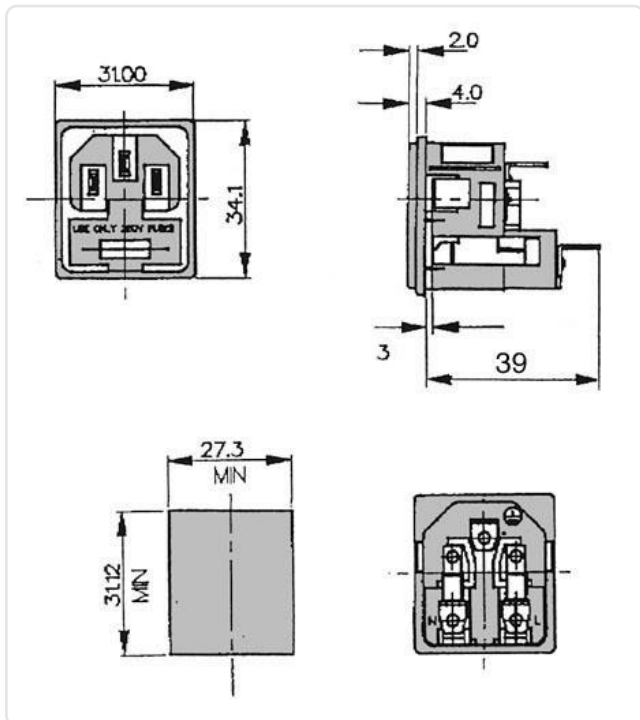


Image may be similar

Amperage [A]: 10
Color: Black
Connections: 6.3x0.8
Fuse Size [mm]: 5.0x20.0
Model: Plug, Snap-In Mounting
Weight: 17.75g
Conformities:



You can find all information on the web on our article detail page



Would you like individual advice?

We look forward to your email to products@ettinger.de.

Subject to change and errors.